



IVT.12.S500 Inverted Biological Microscope

- Brand-new development for life science research
- Both light ports for digital camera and SLR photography, available for observing with digital camera and SLR photography at the same time
- IOS Infinity optical system, perfect for cell observation and culture



IVT.12.S500 Inverted Biological Microscope



Automatic infrared induction for power on-off. Power off upon user leaving 10 minutes, and power on upon user approaching.



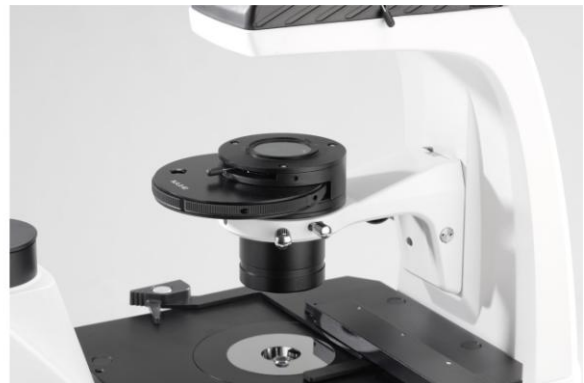
Special light port for SLR digital camera, 7° inclined up to be more convenient to observe the image of the SLR camera



FLU.12.S500 Inverted Fluorescence Microscope

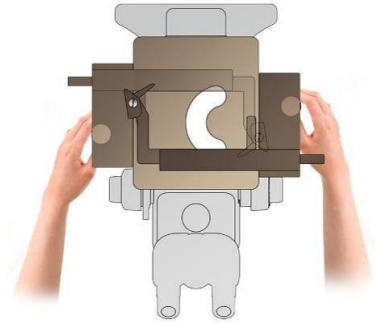
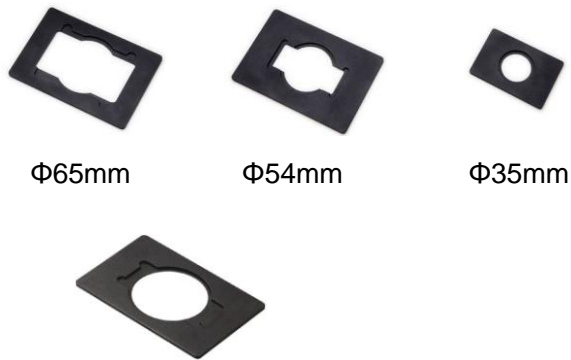


12V/50W Kohler illumination makes the field more even and brighter.



4-hole rotating disc phase contrast condenser for standard to change bright field and phase contrast fast

Culture Dish Holder



Knob can be changed by left or right

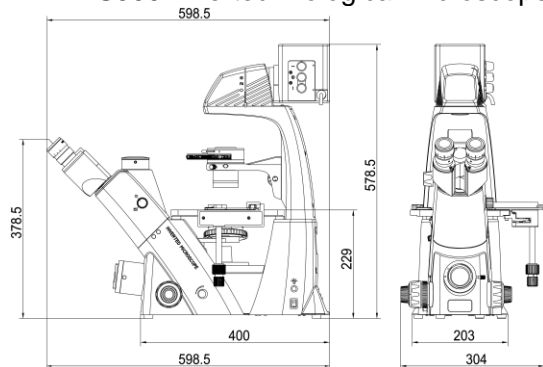
Holder for blood cell counter

Objective Parameter List (Cover-glass thickness 1.1mm)

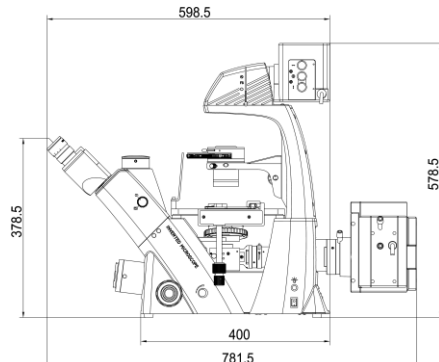
	Objectives	N.A.	Working distance (mm)
LWD Infinity Plan Objectives	LPL 4×	0.11	12.1
	LPL 10×	0.25	8.3
	LPL 20×	0.40	7.2
	LPL 40×	0.60	3.4
LWD Infinity Plan Phase Contrast Objectives	LPL Ph P 4×	0.10	9.2
	LPL Ph P 10×	0.25	8.3
	LPL Ph P 20×	0.40	7.2
	LPL Ph P 40×	0.60	3.4



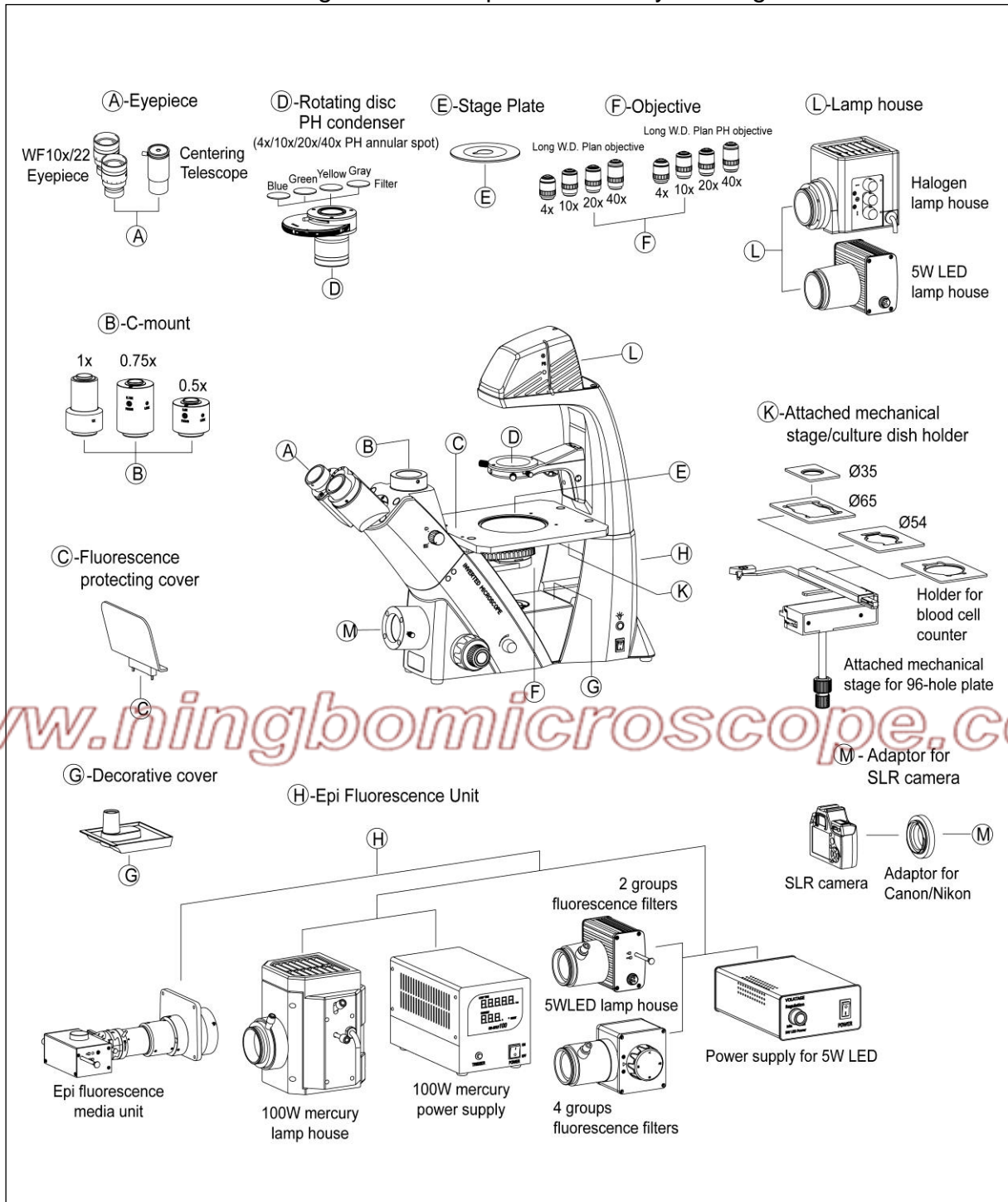
IVT.12.S500 Inverted Biological Microscope Size(mm)



FLU.12.S500 Inverted Fluorescence Microscope Size(mm)



IVT.12.S500 Inverted Biological Microscope General Layout Diagram



Automatic infrared induction for power

IVT.12.S500 Inverted Biological Microscope Outfits

Item	Specification	Outfits
Eyepiece	WF10X / 22mm (adjustable)	● ●
	Centering telescope	●
LWD Infinity Plan Objectives	LPL 4X / 0.11 W.D.=12.1mm	●
	LPL 10X / 0.25 W.D.=8.3mm	○
	LPL 20X / 0.40 W.D.=7.2mm	○
	LPL 40X / 0.60 W.D.=3.4mm	○
LWD Infinity Plan Phase Contrast Objectives	LPL Ph P 4× / 0.10 W.D.=9.2mm	○
	LPL Ph P 10× / 0.25 W.D.=8.3mm	●
	LPL Ph P 20× / 0.40 W.D.=7.2mm	●
Annular Spot	10×/20×/ 40×	●
	4×	○
Seidentopf Trinocular Head	Inclined 45° , interpupillary distance: 48-76mm Light distribution (both): 100: 0 (100% for eyepiece) 80:20 (80% for trinocular head, and 20% for eyepiece)	●
Adaptor for Digital Photography	100% light for Photography Port (Adaptor for CANON or NIKON SLR Digital Photography Camera)	●
Nosepiece	Quintuple	●
Mechanical Stage	Stage size: X×Y 210×241mm, Round slide size: φ110mm, Attached mechanical stage(available for 96 holes plate, moving range X×Y: 128×80mm.)	●
	65mm	○
Culture Dish Holder	54mm	●
	35mm	○
	blood cell counter	○
Condenser	4-hole rotating disc phase contrast condenser N.A.0.4 W.D.45mm It can be up-down adjusting	●
Koehler Illumination	12V/50W Halogen, input voltage: 100V~240V	●
	5WLED, input voltage: 100V~240V	○
Auto power on-off system	Power off automatically upon user leaving 10 minutes, power on automatically upon user approaching	●
Filter	Blue	●
	Green,	●
	Amber	○
	Grey	○
C-mount	1× C-Mount (better for digital photograph).	○
	0.5X/0.75X C-Mount (focus adjustable, better for digital camera	○
Epi fluorescence Illumination	Epi fluorescence media unit , field diaphragm, center adjustable.	○
	100W mercury lamp	○
	5WLED	○
	B, G, V, UV fluorescence filters can be chosen	○
	Digital mercury lamp power box (for 100W mercury or 5WLED) (input voltage:100V~240V)	○

Note: "●" In Table Is Standard outfits, "○" Is Optional Accessories.

Packing Size: 660mm×590mm×325mm

Gross Weight: 18 kgs

Net Weight: 13.5 kgs